

→ MATERIALS:

SEAT STRAPS: 1/4" X 1 1/2" STEEL FLAT BAR

STRAP SUPPORTS: 7/16" Ø STEEL ROD

PIPE SUPPORTS: 1.315" O.D. X 0.133"

WALL SCHEDULE 40 STEEL PIPE

END UNITS: 1" X 1" SQUARE STEEL BAR

SURFACE MOUNTED PLATES: 1 1/2" X 3 1/2" X 1/4"

304 STAINLESS STEEL PLATE WITH 9/16" Ø HOLES

MOUNTED WITH FOUR (4), CUSTOMER SUPPLIED,

1/2"Ø X 4-5" STAINLESS STEEL ANCHOR BOLTS

INDICATE DESIRED MODEL

MC101-48

MC101-72

MC101-96

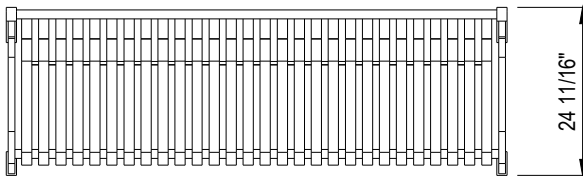
MC101-72 WITH CENTER ARMREST

MC101-96 WITH CENTER ARMREST

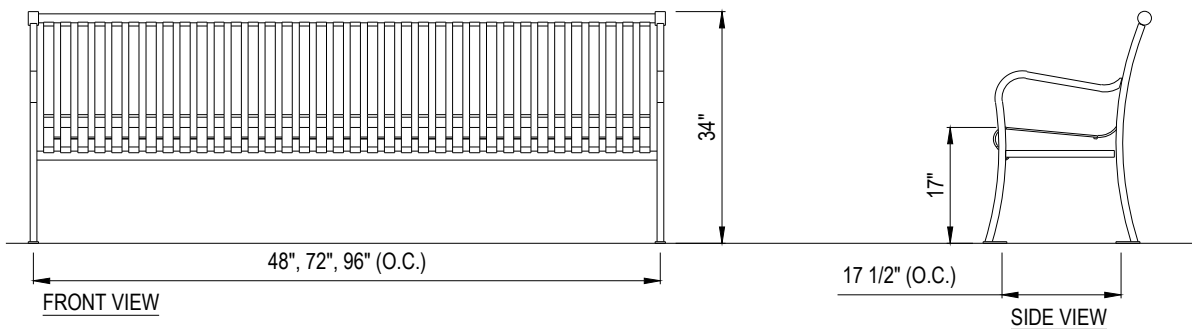
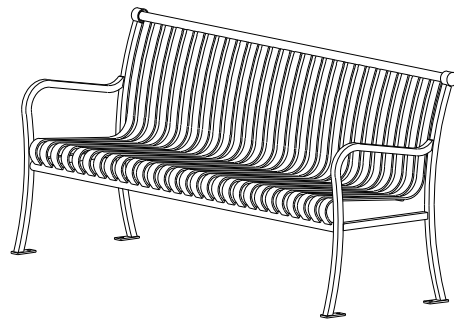
INDICATE DESIRED FINISH (<http://brpbybison.com/finishes.html>):

SPECIFY COLOR: _____

WEATHERBEATER MASTERCOAT POWDER COATING (RECOMMENDED)



TOP VIEW



NOTES:

1. INSTALLATION TO BE COMPLETED IN ACCORDANCE WITH MANUFACTURER'S SPECIFICATIONS.
2. DO NOT SCALE DRAWINGS.
3. CENTER ARM REST CAN BE ADDED AT NO ADDITIONAL CHARGE TO 72" AND 96" BENCHES BY SPECIFYING ZARM.



MANCHESTER BACKED BENCHES

MC101-48, MC101-72 & MC101-96

REVISED 7/1/17