

→ **MATERIALS:**

SEAT STRAPS: 3/16" X 1 1/2" STEEL FLAT BAR

STRAP SUPPORTS: 1/4" X 1 1/2" STEEL FLAT BAR

PIPE SUPPORTS: 1.315" O.D. X 0.133" WALL

SCHEDULE 40 STEEL PIPE

SEAT SUPPORTS: 1" X 1/2" STEEL BARS

SURFACE MOUNTED PLATES: 7 1/2"Ø X 1/4" STEEL PLATE

SUPPORT POSTS: 2" SCHEDULE 40 PIPE

MOUNTED WITH EIGHT (8), CUSTOMER SUPPLIED,

1/2"Ø x 4-5" STAINLESS STEEL ANCHOR BOLTS

INDICATE DESIRED MODEL

AH116-48-EM

AH116-48-SM

AH116-72-EM

AH116-72-SM

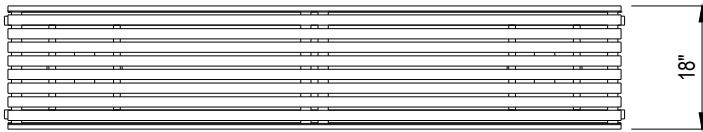
AH116-96-EM

AH116-96-SM

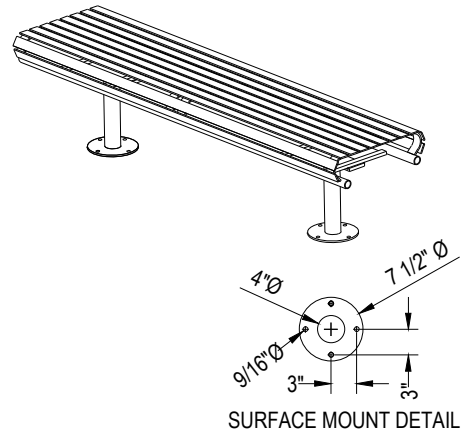
INDICATE DESIRED FINISH (<http://brpbybison.com/finishes.html>):

WEATHERBEATER MASTERCOAT POWDER COATING (RECOMMENDED)

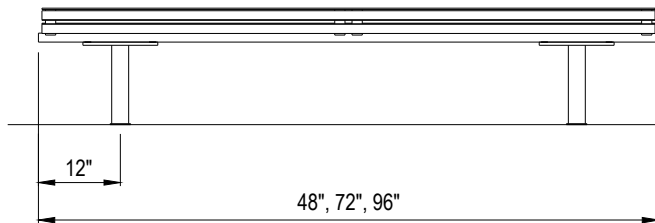
SPECIFY COLOR: _____



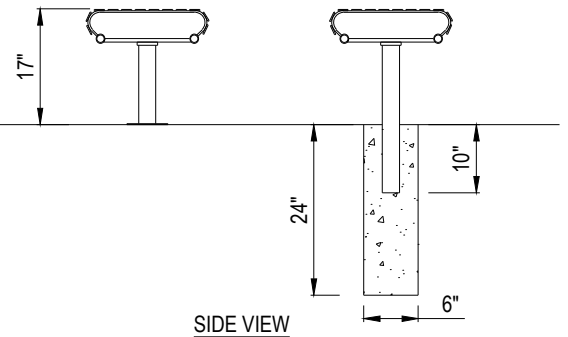
TOP VIEW



SURFACE MOUNT DETAIL



FRONT VIEW



SURFACE MOUNT

EMBEDDED MOUNT

NOTES:

1. INSTALLATION TO BE COMPLETED IN ACCORDANCE WITH MANUFACTURER'S SPECIFICATIONS.
2. DO NOT SCALE DRAWINGS.



ASHEBROOKE FLAT BENCHES

AH116-48-EM, AH116-48-RM, AH116-48-SM, AH116-72-EM, AH116-72-RM, AH116-72-SM
 AH116-96-EM, AH116-96-RM, AH116-96-SM

REVISED 7/1/17